

**COMPACT  
PNEUMATIC CYLINDERS  
PK-A SERIES Ø16- Ø25**



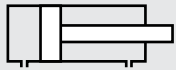


**PK-A SERIES**

COMPACT - Ø16 - Ø25 - ISO 21287

COMPACT MAGNETIC CYLINDER

NEED HIGHER POWER  
IN A TIGHTER SPACE?  
PK-A IS THE PERFECT CHOICE



**PK:** COMPACT CYLINDERS WITH DOUBLE ACTING



**PK-A:** MAGNETIC COMPACT CYLINDERS WITH DOUBLE ACTING

**Example of order:**

PK-A  
Product Code

020-025  
Cylinder Ø  
Stroke

R1 K4  
Variants from  
Standard System

**VARIANTS FROM STANDARD SYSTEM:**

- R1: Stainless Steel Piston Rod (SS 304-SS 316)
- R4: Stainless Steel Nut for Piston Rod (SS 304)
- R5: Piston Rod as CK45 (Hard Chrome Plated)
- M1: Extended male Piston Rod Thread
- M3: Special Piston Rod Thread
- M4: Extended Piston Rod
- K4: Piston Rod Seal Viton

**Force:**

Cylinder Ø mm	Rod Ø mm	Thrust and traction forces (6 Bar)	
		Thrust Force (N)	Traction Force (N)
16	8	121	91
20	10	170	127
25	10	265	222

**Working Fluid:**

Filtered and lubricated or filtered and not lubricated air

**Operating Temperature Range:**

Polyurethane (PU) : (-20°C) - (+80°C)  
Viton (FKM) : (-30°C) - (+150°C)

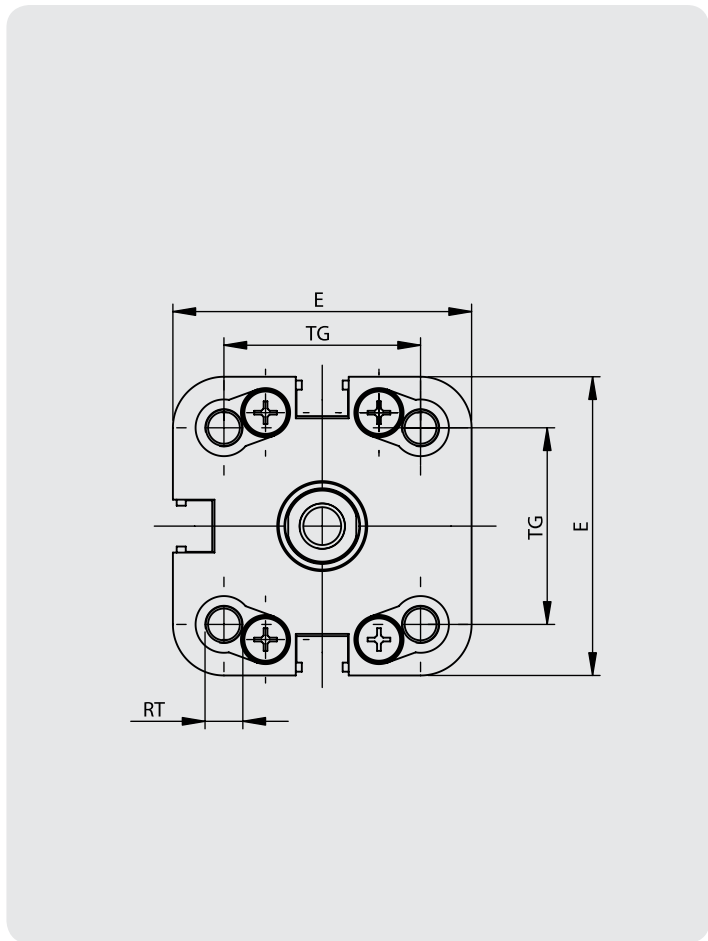
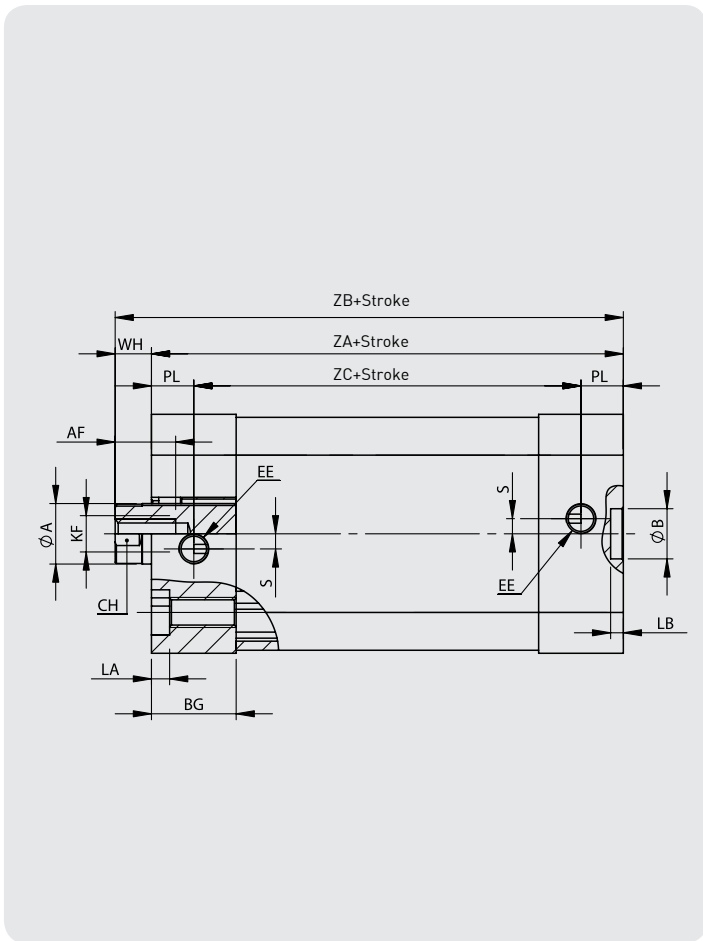
**Max. Work Pressure:**

10 Bar

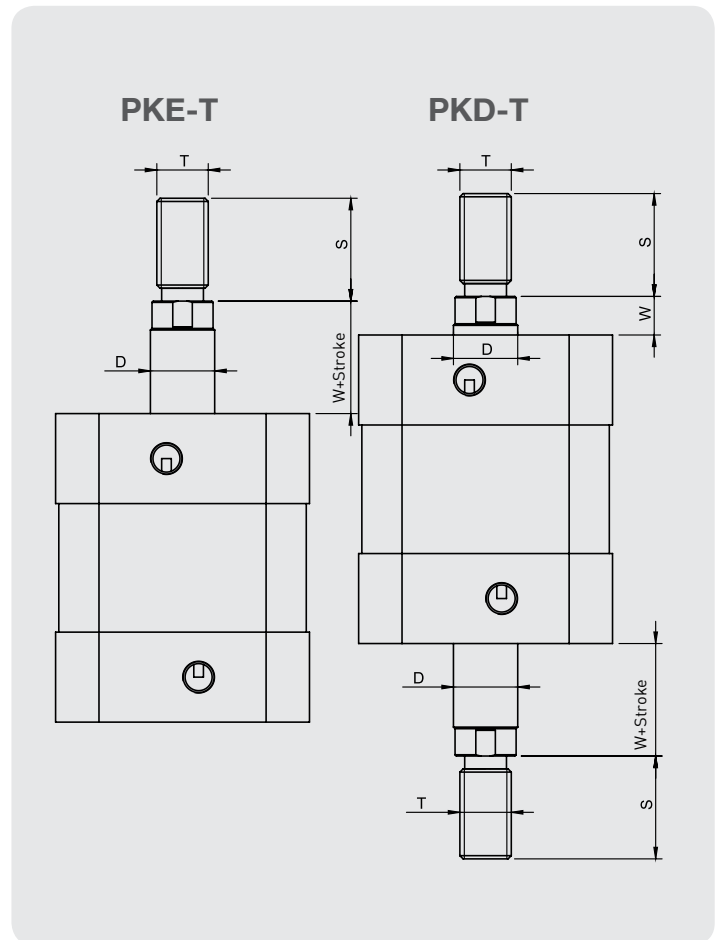
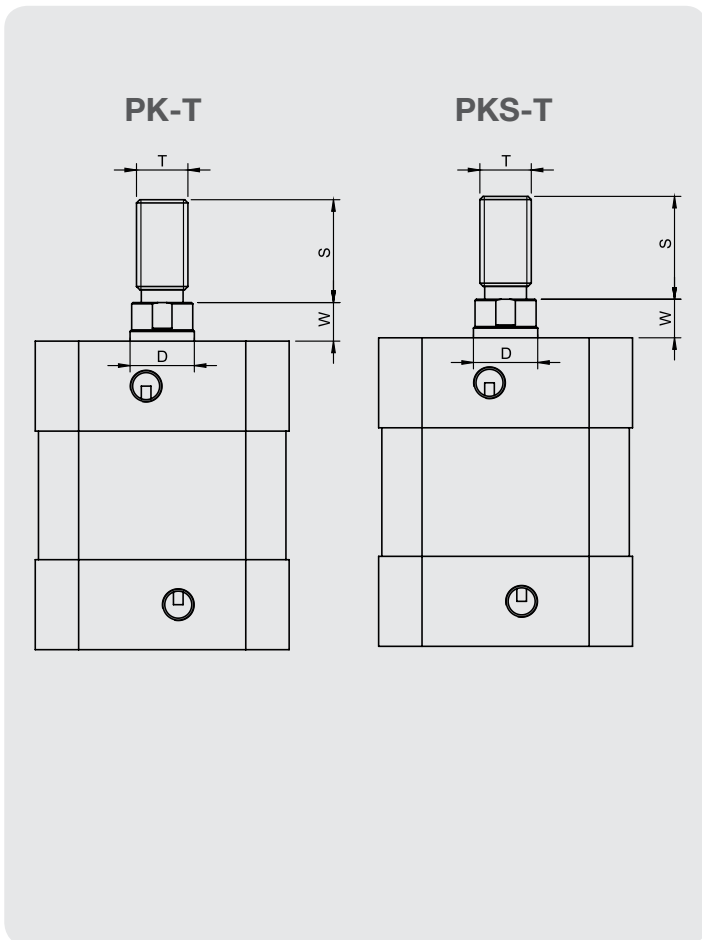


**PK-A SERIES**

COMPACT - Ø16 - Ø25 - ISO 21287



Cylinder Ø mm	ØA	CH	AF	WH	ZA	ZB	ZC	KF	EE	BG	TG	E	RT	LA	PL	ØB	LB	S
16	8	6	8	4,5	38	42,5	22	M4	M5x0.8	12,25	18	29	M4	3,5	8	6	4	0
20	10	9	10	6	37	43	23	M6x1	M5x0.8	14,25	22	36	M5x0.8	3	7	9	2,1	2,5
25	10	9	10	6	39	45	25	M6x1	M5x0.8	14	26	39,5	M5x0.8	3	7	9	2,1	2,5



Cylinder type	Cylinder Ø mm	D	S	T	W
PK-PKS	16	8	20	M8x1.25	4,5
PK-PKS	20	10	16	M8x1.25	6
PKE-PKD	25	10	16	M8x1.25	6